



Auger Conveyors

Carol L. Jones, PhD, PE

Professor and Orville L. And Helen L. Buchanan Chair
Stored Products Engineering

Auger conveyors, sometimes called screw conveyors, are the most common method of handling grain and feed on farms. When making decisions for replacing existing augers or purchasing new ones, it is important to understand the different kinds of augers, capacities and power requirements. This same information will aid in selecting motors and V-belt drives to power the augers.

Auger sizes begin at 4-inch diameter and can be as large as 16 inches in diameter. Typical farm augers are 4-, 6-, 8- and 10-inch in diameter. Augers are available in various types and are designed for different jobs, some of which are illustrated in Figure 1. Portable or transfer augers are available in lengths from 20 to 60 feet. They can be powered by PTO, electric motor, hydraulic motor or gasoline engine. Mobility is the most important feature, and nearly all on-farm grain systems include a transport auger.

Bin unloading augers may be permanently set or moved from one bin to another. If a metal sleeve is placed in the bin foundation or through the bin sidewall, the unloading auger can be inserted when needed (see Figure 2).

Large bins or bins which are filled more than once a year should have permanently mounted unloading augers. Permanently mounted unloading augers may have inclined or vertical discharge sections as shown in Figure 3.

Oklahoma Cooperative Extension Fact Sheets
are also available on our website at:
<http://osufacts.okstate.edu>

The central elevating mechanism in a grain or feed system can be served either with a vertical auger or a bucket elevator. If the annual volume of grain handled is more than 10,000 bushels, a bucket elevator is the most efficient choice.

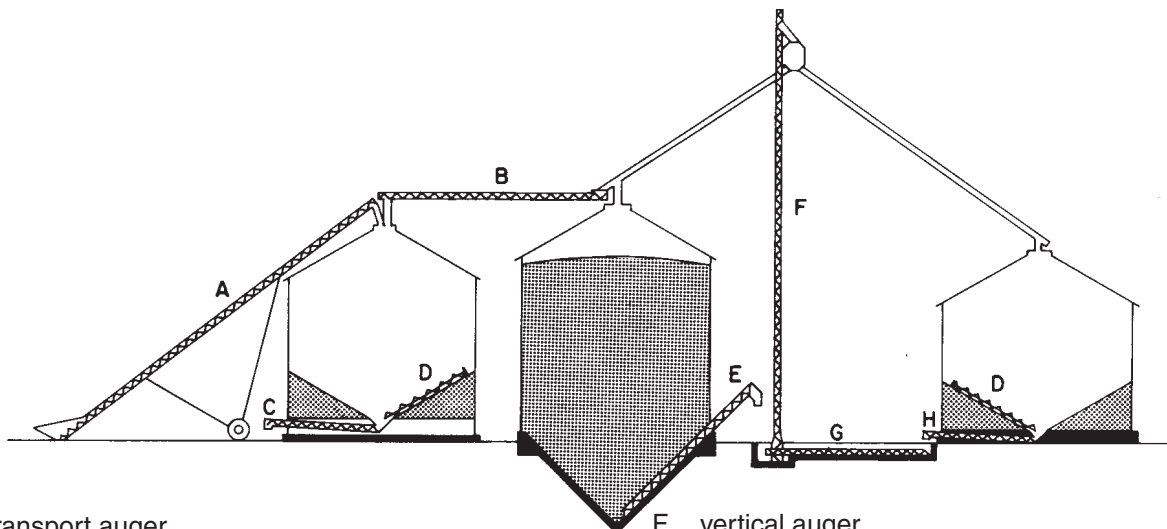
In certain applications, such as dump pits or bulk bins, augers can become overloaded if the flighting is exposed to the weight of the grain. In these cases, auger covers or auger shields are used. Gates or baffles, half-pitch flighting, or auger sections with reduced size or tapered flighting may also be used.

Selecting Augers

The quality of augers available for farm use varies greatly. Quality is usually reflected in useful life and reliability, though it may affect capacity as well.

Less expensive augers have bearings at the drive end only. When these augers are operated while empty, wear is excessive because the flighting contacts the case.

More expensive augers have bearings at both ends and intermediate bearings along the shaft. They usually have heavier gauge flighting and casings. Some capacity is sacrificed



- | | |
|--|--------------------------------------|
| A. transport auger | F. vertical auger |
| B. horizontal overhead auger | G. drive-over dump auger |
| C. unloading auger in plenum of drying bin | H. unloading auger in bin foundation |
| D. sweep auger | |
| E. unloading auger for cone-bottom bin | |

Figure 1. Augers are available in various sizes and types for different conveying jobs.

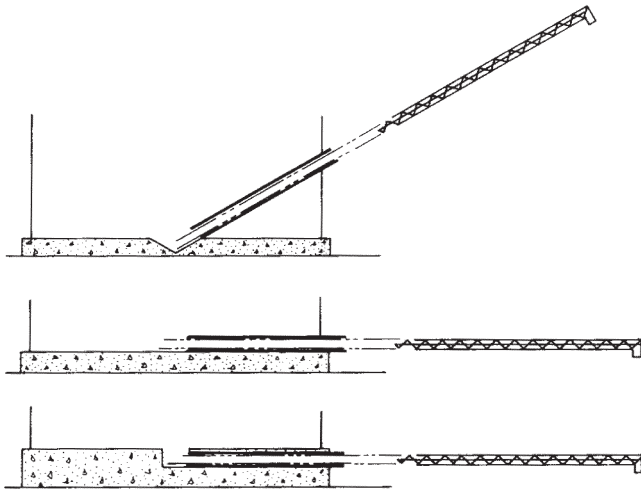


Figure 2. If a metal sleeve is placed in the bin foundation or sidewall, an unloading auger can be inserted when needed, and one auger can serve several bins, of the same or different sizes.

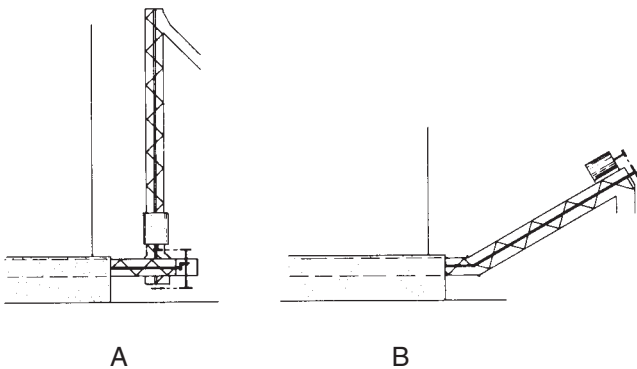


Figure 3. Bin unloading augers with A) a vertical discharge section using a right-angle drive and B) an inclined discharge section using a universal joint.

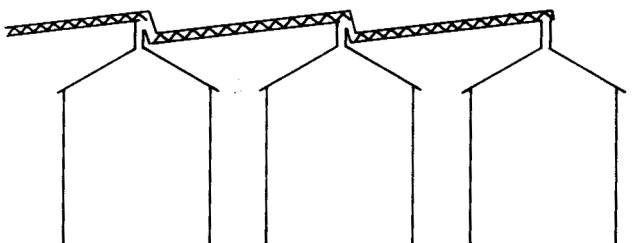


Figure 4. Augers may be cascaded over long distances.

due to intermediate bearing mounts, though this problem is reduced by using U-trough augers as illustrated in Figure 4.

Auger life and reliability are increased by selecting large diameter augers and U-troughs and operating them at low speed. Auger life and reliability are most important for augers which are difficult to repair or replace, such as overhead augers or augers in dump pits.

Auger Pitch

Auger pitch refers to the distance between corresponding points on consecutive turns of the auger flighting or the distance the conveyed material moves with one revolution of the auger. Most augers are standard pitch, with pitch approximately equal to the auger diameter.

Capacities and Power Requirements

The capacity of an auger is affected by: auger diameter, auger speed, length of intake exposure, angle of elevation and kind and moisture content of grain conveyed. The length of the auger will affect the power requirement, but not the capacity.

Tables 1 and 2 present capacities and power requirements of standard pitch auger conveyors handling shelled corn. Horsepower, or HP, refers to the power required at the auger drive shaft. Power loss in the drive train is generally estimated to be 10 percent and that amount should be added to the HP in the tables. Tables 1 and 2 may also be used for wheat, grain sorghum, oats, barley and rye, although conveying capacity will be somewhat less for some of these grains; particularly oats. The power requirements in Tables 1 and 2 may also be used for augers handling ground or cracked grain or concentrate feed rations. Multiplying bushels per hour by 50 will give the approximate auger capacity in pounds per hour. To use Tables

Table 1. 6-inch auger conveyor handling dry shelled corn*

Auger Speed RPM	Intake Exposure inches	Angle of Elevation					
		0° bu/hr hp/10'	45° bu/hr hp/10'	90° bu/hr hp/10'			
200	6	590	.20	370	.33	220	.25
	12	590	.28	500	.44	280	.32
	18	620	.32	510	.47	310	.36
	24	630	.44	555	.55	350	.40
400	6	970	.35	650	.60	380	.46
	12	1090	.56	850	.88	520	.70
	18	1174	.74	940	1.02	560	.80
600	24	1190	.97	1010	1.18	660	.92
	6	1210	.49	820	.82	490	.64
	12	1510	.84	1160	1.28	740	1.05
800	18	1650	1.17	1270	1.52	800	1.23
	24	1700	1.47	1444	1.80	720	1.40
	6	1320	.58	890	.95	40	.77
	12	1760	1.07	1370	1.62	890	1.32
800	18	1990	1.57	1510	2.08	1000	1.64
	24	2140	1.95	1740	2.39	1100	1.89

* Moisture content, 14.5 percent wet basis.

Source: Research Bulletin No. 740, Purdue University Agricultural Experiment Station.

Table 2. Auger conveyor handling dry vs. wet shelled corn* with 12-inch intake exposure.

Auger Speed RPM	Moisture content % wet basis	Angle of Elevation					
		0°		45°		90°	
		bu/hr hp/10'		bu/hr hp/10'		bu/hr hp/10'	
<i>4-inch conveyor</i>							
200	14	150	.12	120	.15	60	.11
400	14	290	.29	220	.29	130	.25
700	14	470	.43	350	.52	220	.41
1180	14	650	.63	460	.81	310	.67
<i>6-inch conveyor</i>							
200	14	590	.3	500	.5	280	.4
	25	370	1.4	280	1.3	160	.4
400	14	1,080	.6	850	.9	520	.7
	25	690	1.8	510	1.8	300	.7
600	14	1,500	.9	1,160	1.3	745	1.1
	25	950	2.4	680	2.3	380	1.1
800	14	1,760	1.1	1,370	1.6	890	1.3
	25	1,100	2.8	770	2.8	470	1.6
<i>8-inch conveyor</i>							
200	14	1,050	.5	900	.9	490	.7
	25	670	3.5	510	2.3	280	.7
400	14	1,950	1.1	1,530	1.6	940	1.4
	25	1,250	3.5	930	3.4	550	1.4
600	14	2,700	1.6	2,100	2.4	1,500	2
	25	1,700	4.3	1,220	4.2	680	2
<i>10-inch conveyor</i>							
200	14	2,000	1	1,700	1.6	930	1.3
	25	1,250	4.6	950	4.2	525	1.3
400	14	3,650	2	2,850	3	1,750	2.5
	25	2,300	6	1,700	6	1,000	2.5

* Table values may also be used for wheat, grain, sorghums, oats, barley, rye, ground grain and concentrate feed rations. Multiplying bu/hr by 50 will give the approximate lbs/hr capacity when conveying meal or concentrate feed rations. For soybeans, reduce capacity values by 25% and increase values by 40%.

Source: Research Bulletin No. 740, Purdue University Agricultural Experiment

1 and 2 for soybeans, reduce the capacity values in the tables by 25 percent and increase power values by 40 percent.

Several important rules are illustrated in Tables 1 and 2.

- As angle of elevation increases from 0 degrees to 90 degrees, auger capacity decreases.
- Power requirements increase with angle of elevation to 45 degrees, then decrease as the auger goes to 90 degrees.
- Auger capacity and power requirement increase with auger speed. Practical limits are 1,000 RPM for 4-inch augers and 800 RPM for 6-inch augers.
- Auger capacity and power requirement increases with intake exposure. At long exposures, the power requirement increases at a greater rate than capacity. Normal exposure for standard pitch augers is two to three times auger diameter.
- Auger length has no effect on auger capacity or the power requirement per foot of length. Auger lengths are limited, however, by the maximum torque that the auger shaft and coupling pins will carry. This length is usually 60 to 100 feet, unless the auger is of special design. For longer

distances, augers can be cascaded, as shown in Figure 4.

- When handling wet grain, auger capacity is about 60 percent of the capacity in dry grain. Horizontal augers handling wet grain require several times the power required for dry grain. Augers inclined 45 degrees require about twice as much power for wet as for dry grain. The power requirement in vertical augers is the same for wet or dry grain.

Selecting Motors and Drives

Table 3 may be used to select motors based on calculated auger HP and continuous operation. When electric motors must be mounted in positions other than horizontal, they should be equipped with thrust bearings.

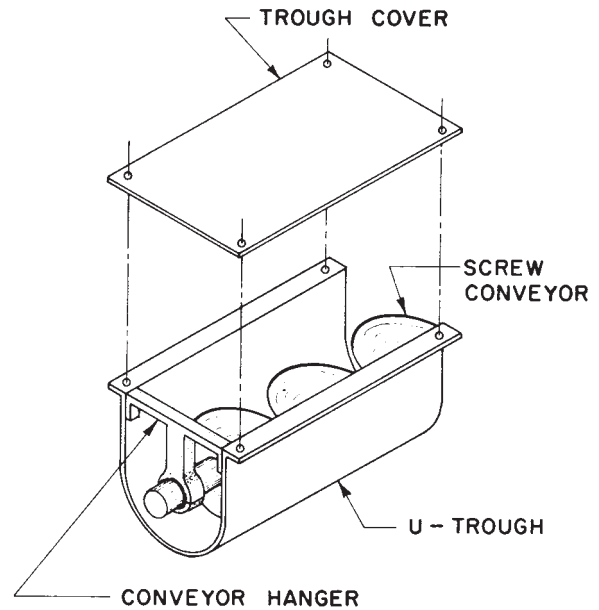


Figure 4. U-trough conveyors have the advantages of being fully bearing-mounted, easily loaded at any point along the conveyor, easily repaired and give longer service life.

Table 3. Motor selection for continuous conveyor operation*.

Calculated Conveyor Hp.	Electric Motor Size, Hp	Gasoline Engine Size, Hp
Up to .27	1/4	1/2
28 to 35	1/3	2/3
36 to 55	1/2	1
.56 to .81	3/4	1 1/2
.82 to 1.10	1	2
1.11 to 1.60	1 1/2	3
1.61 to 2.10	2	4
2.11 to 3.20	3	5
3.21 to 5.25	5	8

*Values from Tables 1 and 2 multiplied for auger length and increased 10 percent for drive train power loss.

Electric motors over 1/2 Hp should be operated on 230 volts, controlled by a motor-starting switch, and have the grounded neutral wire attached to the motor frame for shock protection. Properly sized overcurrent protection must be used. If an ordinary on-off switch is used, install time-delay fuses or fuse-links sized to 115 percent of the name-plate operating current.

Fractional horsepower (FHP) V-belt drives are frequently used with grain augers. Larger motors require multiple V-belt drives.

Table 4 is a guide for selecting pulleys for V-belt drives powered by 1750 RPM electric motors. The speed ratio is the ratio of motor RPM to the desired auger RPM. This is the de-

sired ratio of auger pulley diameter to motor pulley diameter. When the motor pulley diameter has been selected, it may be multiplied by this ratio to determine the required auger pulley diameter. Several pulley combinations are given in Table 4 as examples.

V-belt drives are limited in the HP that can be carried per belt. This value is determined by the type, size, and length of belt; the speed and size of the small pulley; and the ratio of pulley diameters, which determines the belt contact length on the small pulley. Small diameter pulleys should be avoided for this reason. For electric motors up to 3 Hp, the minimum recommended pulley outside diameter is 2 1/2 inches. Work closely with a reputable vendor to make sure these selections provide the performance required by the auger.

Table 4. Pulley sizes required for various auger speeds powered with 1750 RPM electric motors.

Desired Auger Speed RPM	Speed Ratio,*	Pulley Combinations		
		Motor Pulley Dia. (in.)	Auger Pulley Dia. (in.)	Actual Auger Speed (RPM)
200	8.75	2.0	17.5	200
		2.2	19.0	203
300	5.83	2.2	13.0	296
		3.2	18.5	303
400	4.38	2.4	10.5	400
		3.6	16.0	394
500	3.50	2.3	8.0	503
		3.6	12.5	504
600	2.92	2.4	7.0	600
		3.6	10.5	600
700	2.50	2.2	5.5	700
		3.2	8.0	700
		3.4	8.5	700
800	2.19	2.4	5.2	808
		3.6	8.0	788
900	1.94	2.3	4.5	894
		3.6	7.0	900
1000	1.75	2.8	5.0	980
		3.2	5.5	1,018
		4.0	7.0	1,000

motor R P M

*Calculated as $\frac{\text{motor R P M}}{\text{desired auger RPM}} = \text{the speed ratio.}$

Safety Considerations

Augers represent one of the greatest safety hazards on farms. All exposed auger drive assemblies must have safety shields. All auger intakes should be covered by a grate designed to keep hands, feet, and clothing from contacting the auger flighting or being caught between the flighting and case. The grate should easily support the weight of a man.

A deadly hazard exists for anyone in a grain bin when the unloading auger is started. Deaths occur annually from suffocation and injuries inflicted by the unloading auger in this situation. Many of these victims are children.

Disconnect power or lock out/tag out the power source to the unloading auger before entering the bin. A knotted safety rope hanging near the center of the bin offers some protection. A second person positioned outside of the bin and at the door can summon aid in the case of an incident. This observer should be in contact with the person entering the bin at all times by sight, voice, or radio.

An air pocket sometimes forms when grain bridges over unloading augers due to spoiled grain or moisture accumulation. Never walk on the grain surface if this occurs. One can be trapped when the pocket collapses. Break up the pocket by using a long pole from outside the bin.

Wear an effective dust mask when exposed to grain dust. In particular, avoid breathing mold dust from spoiled grain.

When children are present on the farm, never engage any machinery before checking on the possible presence of a child.

Oklahoma State University, as an equal opportunity employer, complies with all applicable federal and state laws regarding non-discrimination and affirmative action. Oklahoma State University is committed to a policy of equal opportunity for all individuals and does not discriminate based on race, religion, age, sex, color, national origin, marital status, sexual orientation, gender identity/expression, disability, or veteran status with regard to employment, educational programs and activities, and/or admissions. For more information, visit <https://eeo.okstate.edu>.

Issued in furtherance of Cooperative Extension work, acts of May 8 and June 30, 1914, in cooperation with the U.S. Department of Agriculture, Director of Oklahoma Cooperative Extension Service, Oklahoma State University, Stillwater, Oklahoma. This publication is printed and issued by Oklahoma State University as authorized by the Vice President for Agricultural Programs and has been prepared and distributed at a cost of 20 cents per copy. 0118 GH.